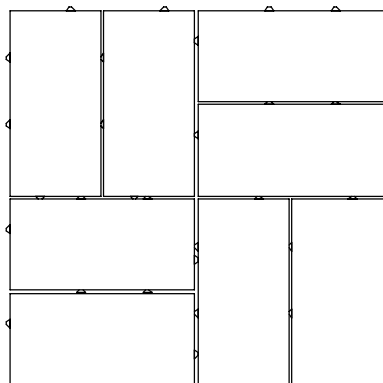
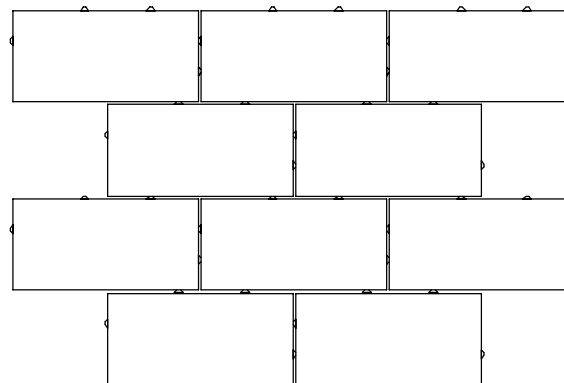


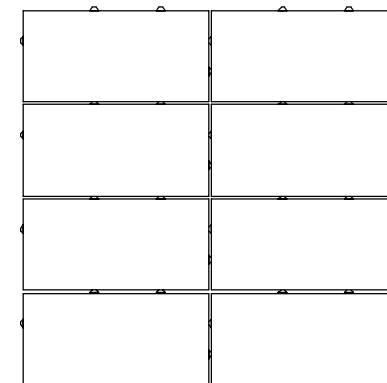
HERRINGBONE



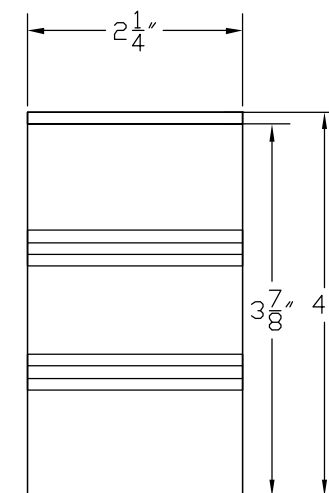
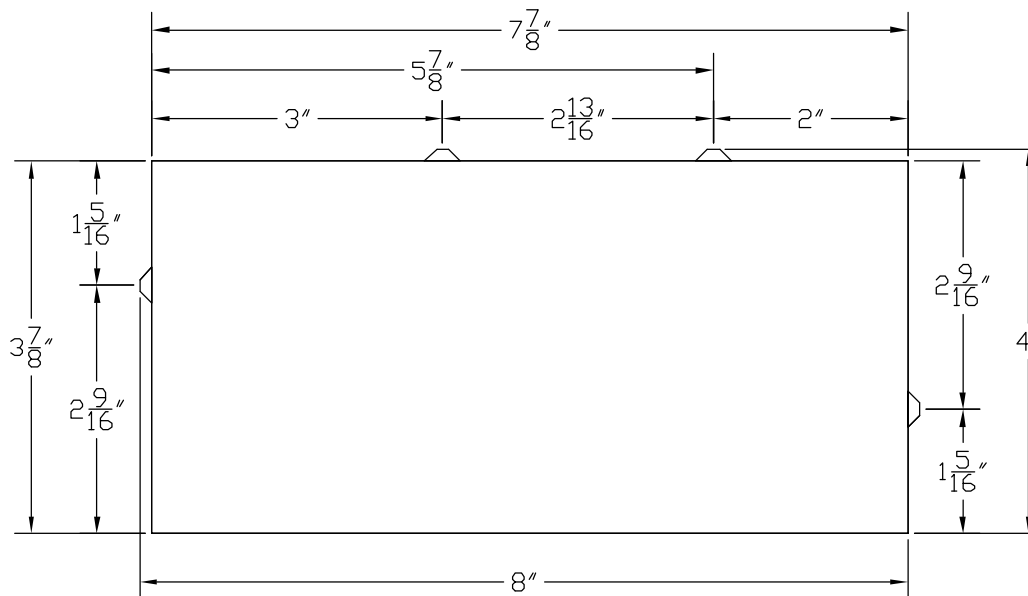
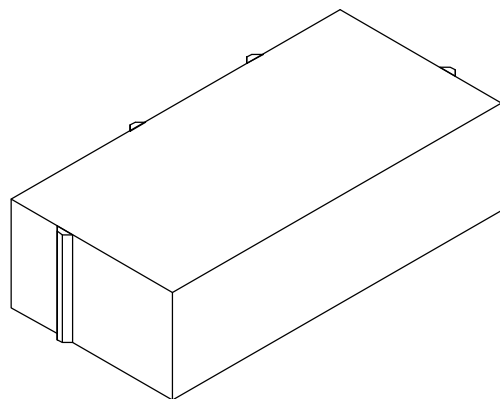
BASKET WEAVE



RUNNING BOND



STACK BOND



BORAL BRICKS

P.O. BOX 1178
COLUMBUS, GA 31902
800-241-1135

PAVER 4x8 STRAIGHT W/ LUGS
- FOR -
PLANT #4
AUGUSTA, GA

DRAWN BY:	TDG	SCALE:	1/2" = 1"
DATE:	6-27-08		
DWG. NO.	Paver 4x8 Straight w Lug		