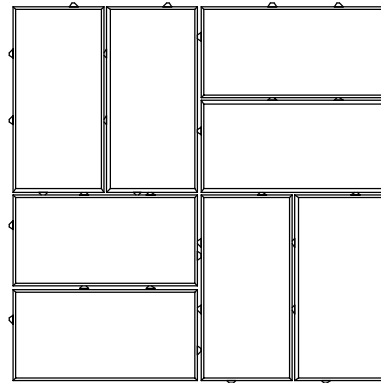
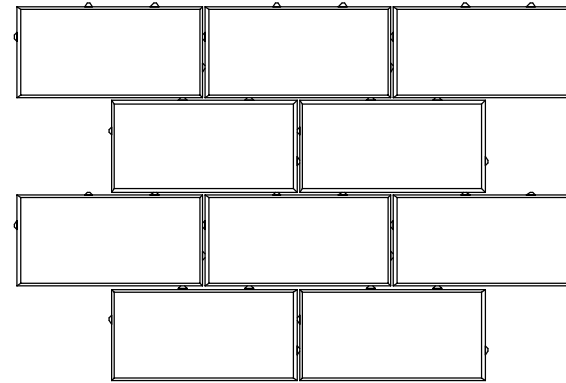


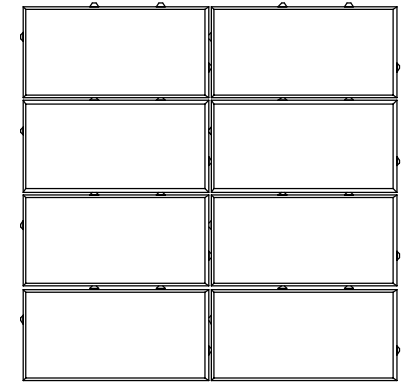
HERRINGBONE



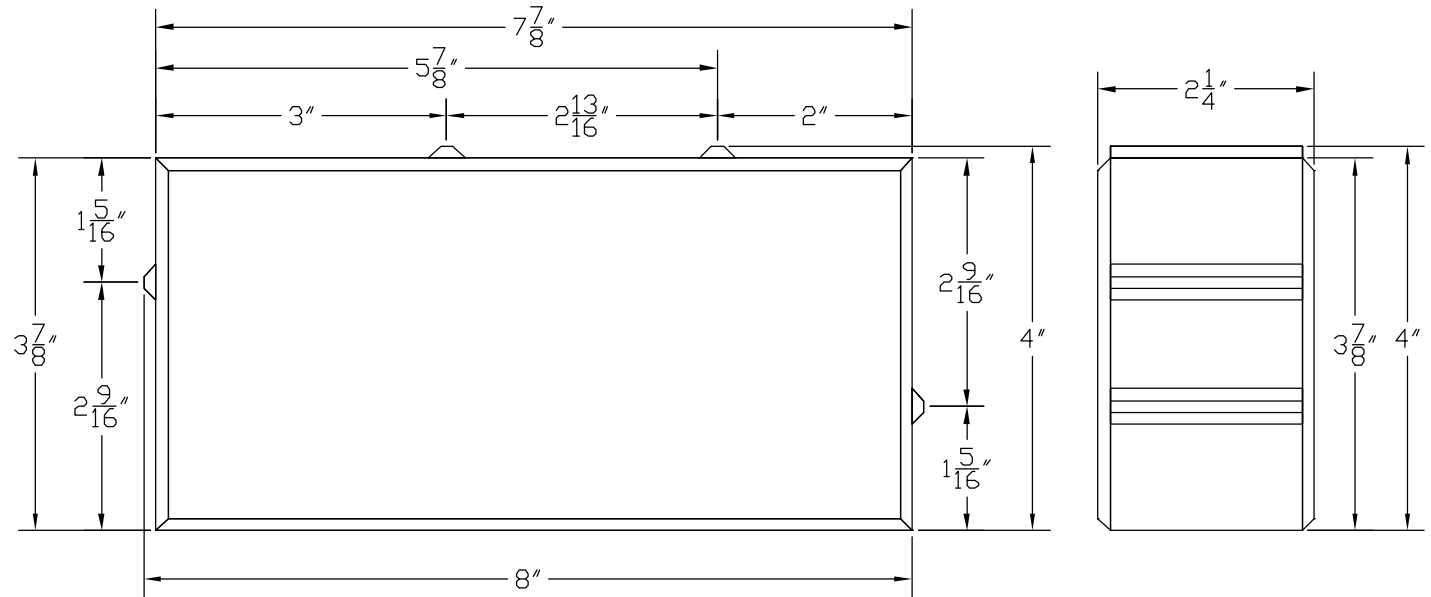
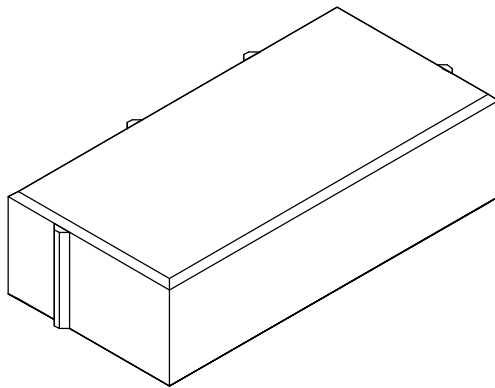
BASKET WEAVE



RUNNING BOND



STACK BOND



**BORAL BRICKS**

P.O. BOX 1178  
COLUMBUS, GA 31902  
800-241-1135

PAVER 4x8 BEVELED W/ LUGS  
- FOR -  
PLANT #4  
AUGUSTA, GA

DRAWN BY:	TDG	SCALE:	1/2" = 1"
DATE:	7-20-04		
DWG. NO.	Paver 4x8 Beveled w Lug		